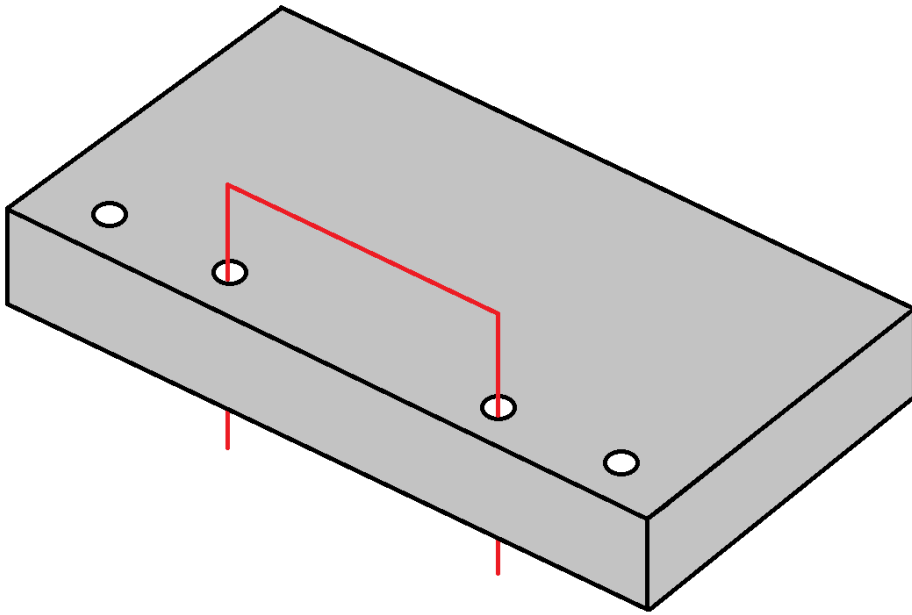
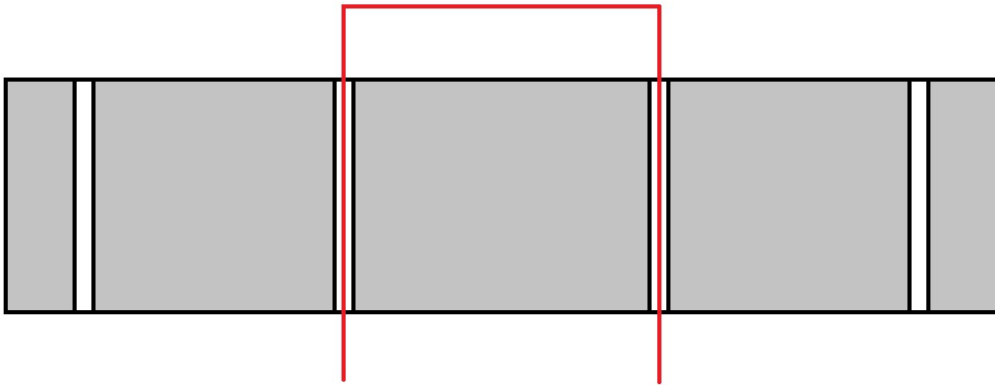
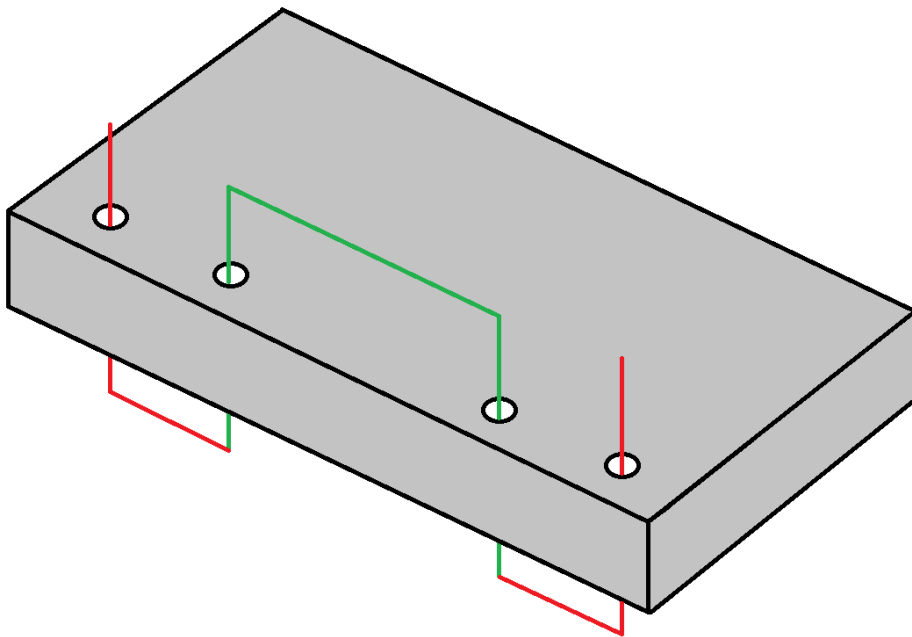
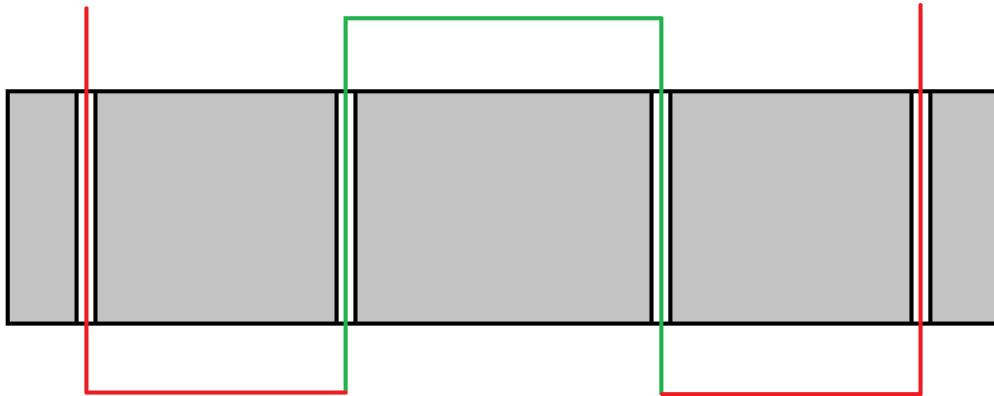


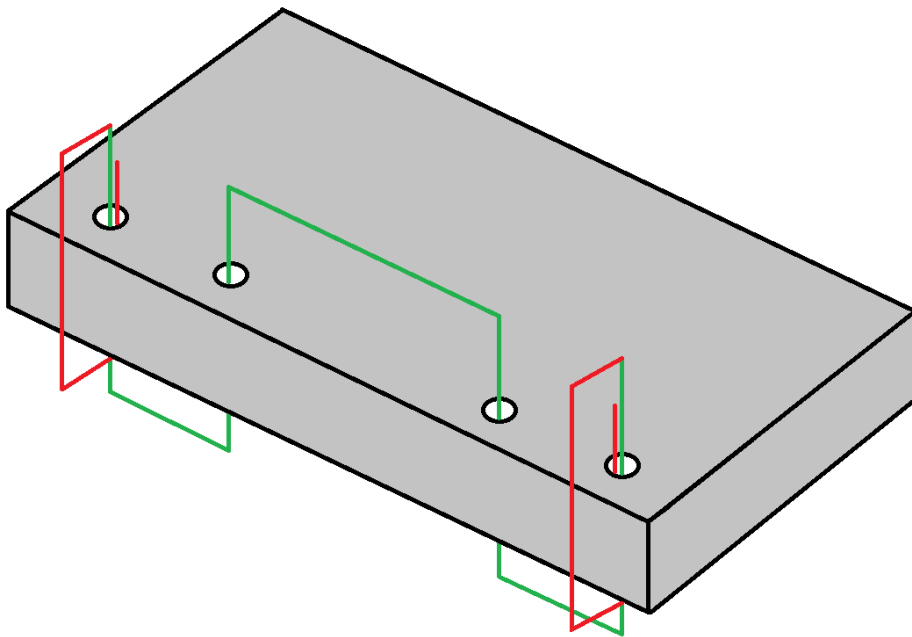
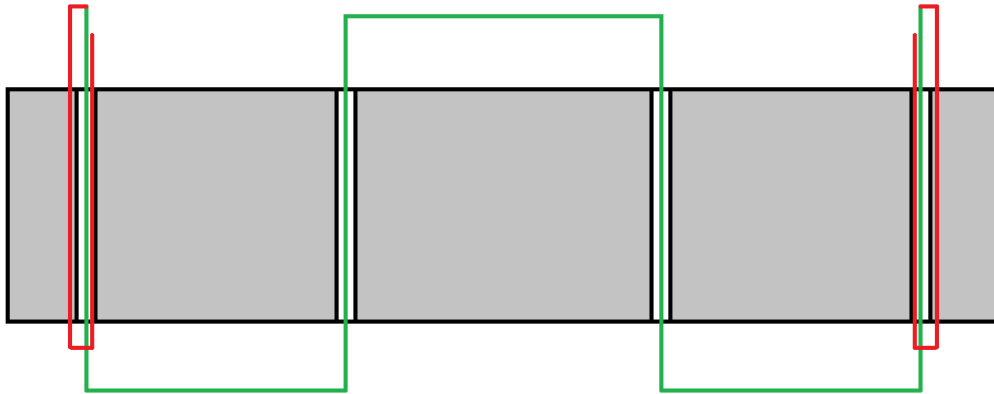
BHMA 1o



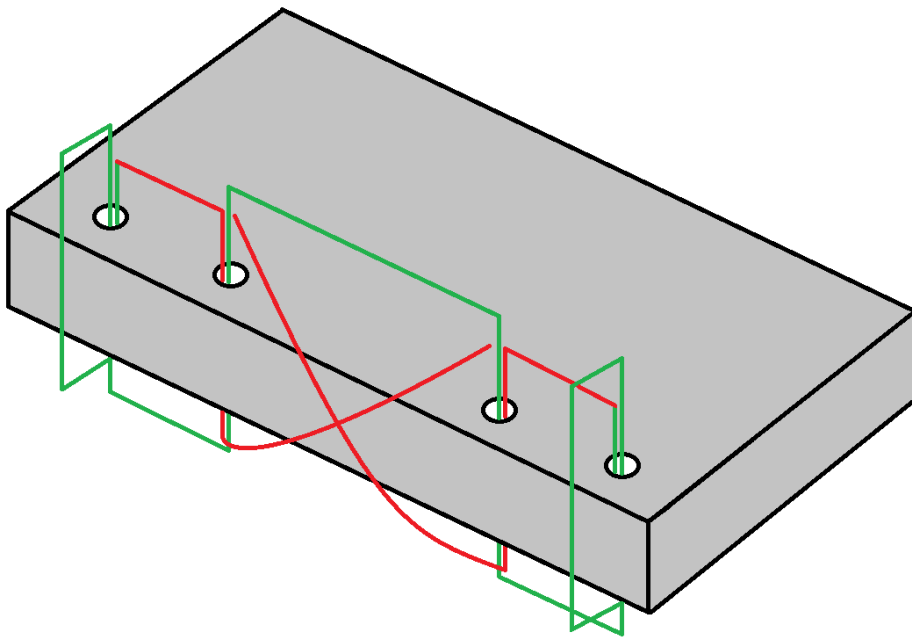
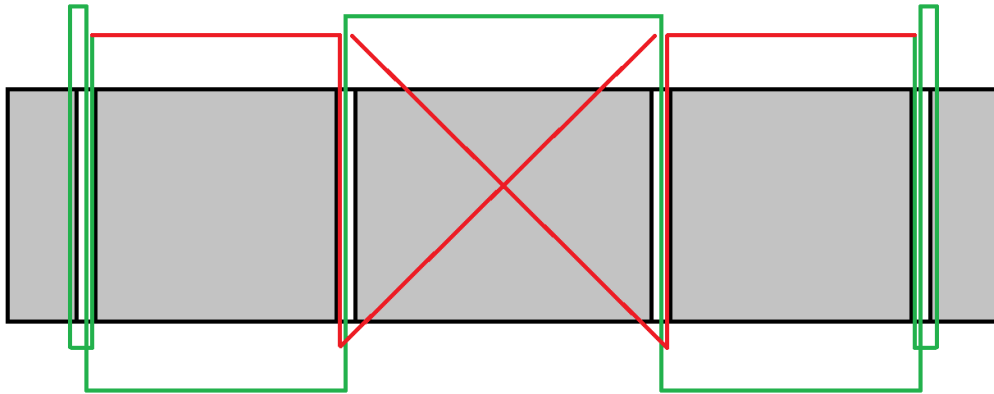
BHMA 2o



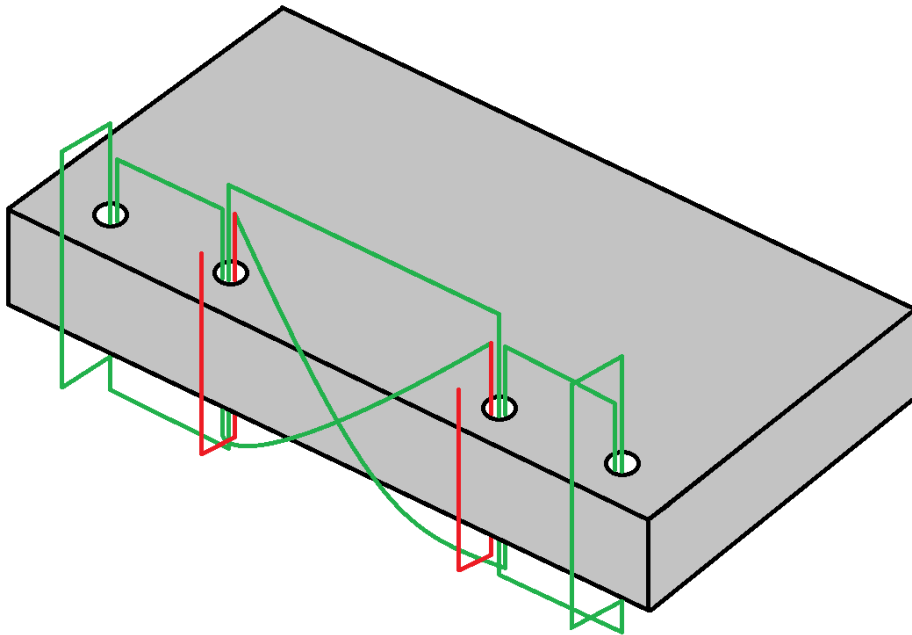
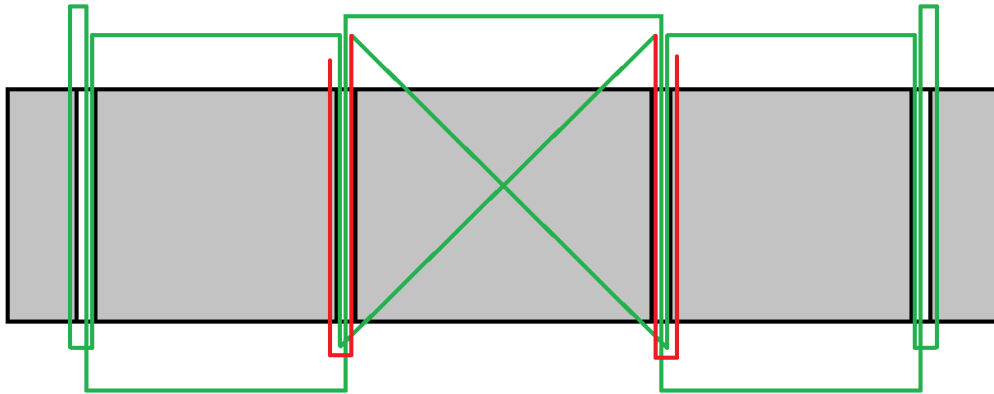
BHMA 30



BHMA 40



BHMA 5o



BHMA 60

